

Dynamic. Sleek. Efficient. Flexible.

splitty



Designers

Kenneth Ng & Edmund Ng

Red Dot Design Award 2018

iF Design Award 2018

Best of NeoCon Gold 2017

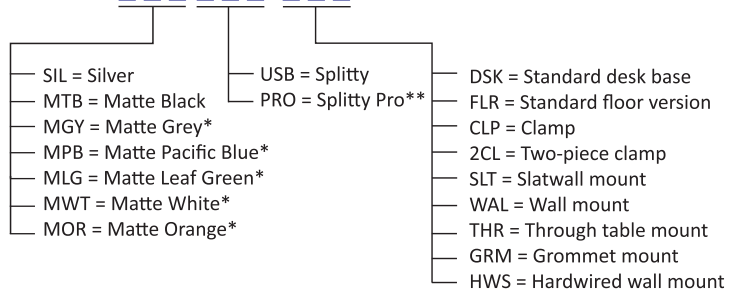
Interior Design Best of Year Honoree 2017

Available as a floor lamp or desk lamp, Splitty gets its name from its unique joint design and is one of the most flexible lights in the Koncept collection. When illuminated, the wide LED head casts an even glow thanks to the fully diffused light panel. Koncept designers perfected the diffused light source with hidden LEDs so that the lamp performs as a radiant ambient light as well as a functional task light. Multiple mounting options for Splitty Desk Lamp can open up work space, and a discreet USB port allows users to charge most phones or tablets. Splitty Desk Lamp is also compatible with a wireless charging Qi base. Splitty Pro Desk Lamp features a 2 Amp USB port and built-in occupancy sensor to maximize energy efficiency.

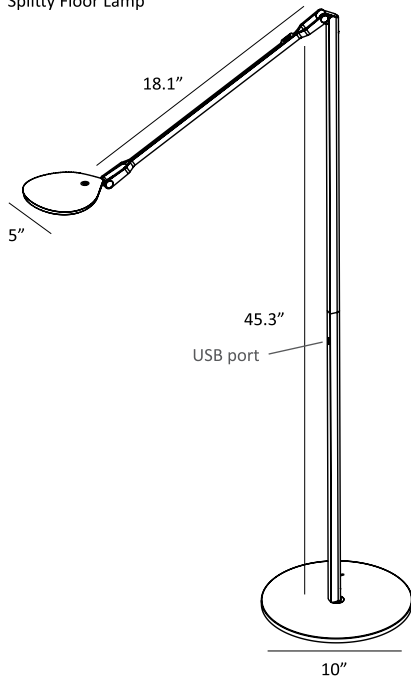
Lumens: 500
 Footcandles: 117
 Lux: 1259
 Energy Consumption: 5.8 W
 Rated Lifespan: 50,000 hours
 Color Temperature: Warm (3,500 K)
 Color Rendering Index (CRI) : 82
 Brightness Adjustability: Continuous Dimming
 Material: Aluminum, plastic
 USB port: Built-in; 1A (Splitty, Splitty Floor) / 2A (Splitty Pro)
 Occupancy Sensor: Built-in (Splitty Pro only)
 Safety Rating: C-UL-US Certified
 Warranty: 5 years
 Voltage: 120V
 Standard Finishes: Silver, Matte Black, Matte Grey*, Matte White*,
 Matte Pacific Blue*, Matte Leaf Green*, Matte Orange*

*Finish not available for Splitty Pro
 **Splitty Pro not available as a floor lamp

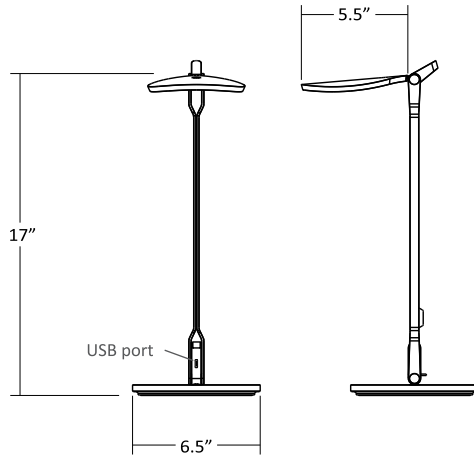
SPY - W -



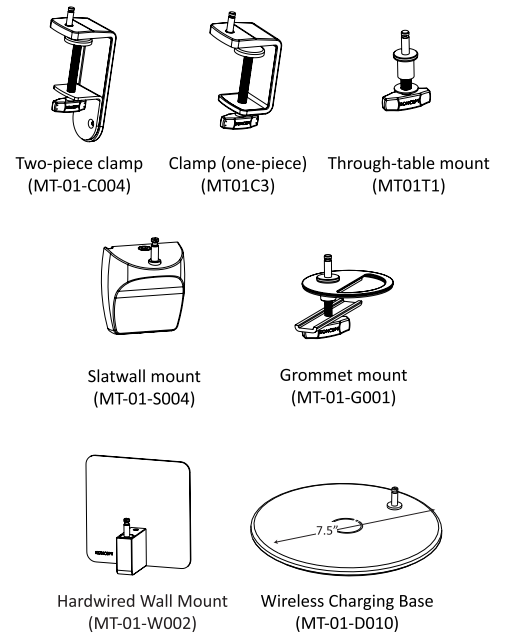
Splitty Floor Lamp



Splitty/Splitty Pro Desk Lamps



Mounting Options for Splitty Desk Lamp***



***Limited finishes available on mounting options.
 Visit koncept.com/splitty for more information.

Potential LEED Points

Integrative Process (Possible 2 points)

To support high-performance, cost-effective project outcomes through an early analysis of the interrelationships among systems. Koncept's LED desktop and task lighting provides finer control over lighting levels in occupied spaces. With personal lighting in place, elimination or downsizing of building lighting systems is possible.

Interior Lighting (Possible 2 points)

To promote occupants' productivity, comfort and well-being by providing high-quality lighting. All Koncept's task lighting products provide more than three lighting levels that are easily adjustable by occupants to suit their needs. Furthermore, all Koncept's task lighting products use high quality LED light sources with CRI over 80 and L70 rated lifespan over 50,000 hours. Desktop and task personal lighting also provides the opportunity to reduce overhead lighting.

Photometrics: Light source placed 15" away from work surface

