

M DESIGNS

# EMBRACE CHAIR

## Stationary, Swivel, and Swivel Glider



### Coverings

Leather / Fabric

### Filling

ARMS / Foam

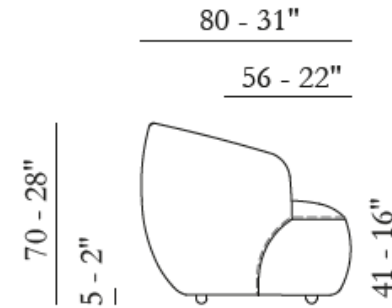
SEAT CUSHION / Foam

BACK CUSHION / Foam

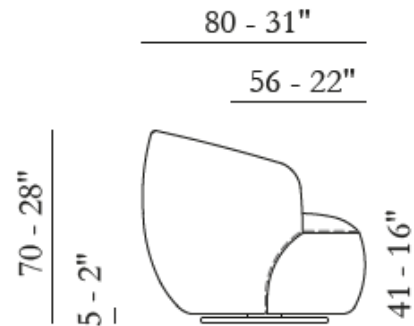
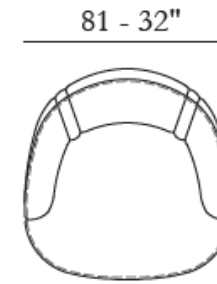
**Options** Contrast stitching

**Comfort** Standard

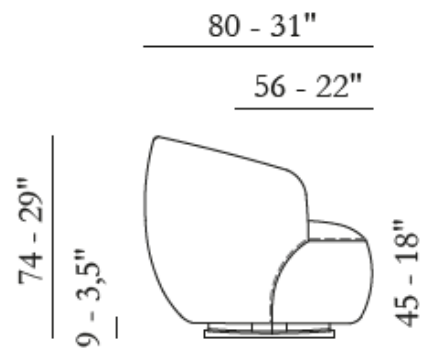
**Structure** Wooden frame



104



105



111

