

# AMERICAN LEATHER® CLASSICS

---

## CARSON



**AMERICAN  
LEATHER®**

# AMERICAN LEATHER® CLASSICS COLLECTION SOFAS & SECTIONALS

## CARSON

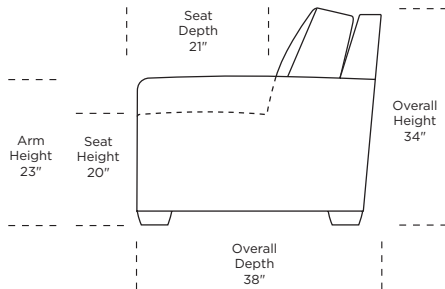
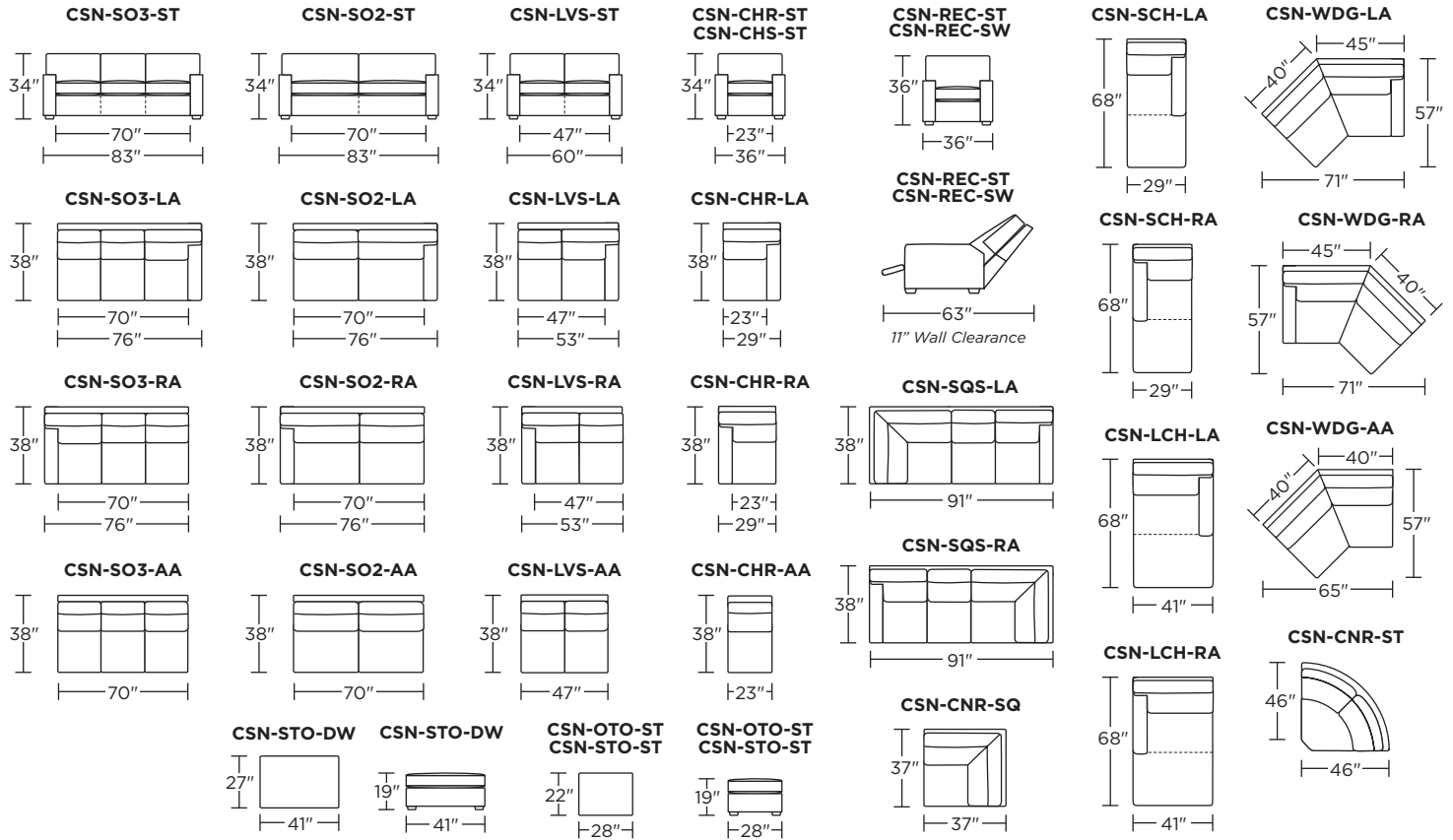
### Standard Features:

- Advanced unidirectional suspension system
- Premium high-density, high-resiliency foam seats
- Loose back and seat cushions
- Double-needle top-stitch
- Quick-ship delivery
- Lifetime warranty on frame and suspension

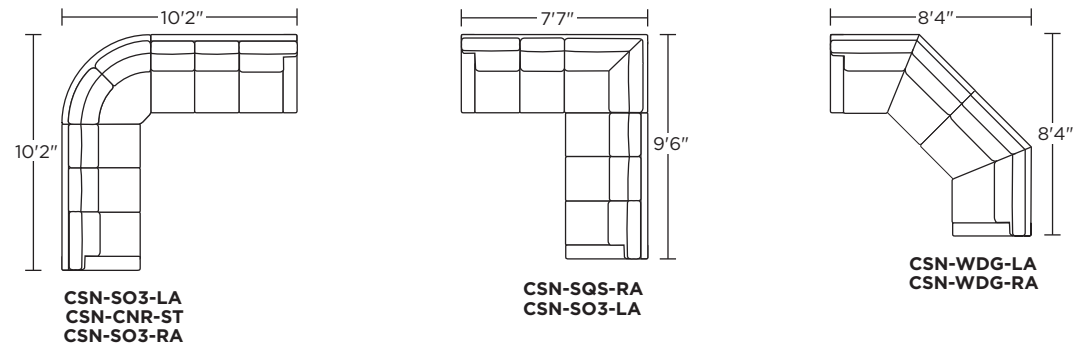
### Options:

- Premium high-density, high-resiliency foam seats encased in down
- Extra-firm premium high-density, high-resiliency foam seats encased in down
- Extra-firm premium high-density, high-resiliency foam seats
- Wood legs available in Acorn, Espresso or Walnut finish

Please use actual leather, fabric, Crypton®, Sunbrella® and Ultrasuede® swatches when specifying furniture as the colors shown may vary due to the printing process.



### Suggested Configurations



**Note:** Dotted line indicates seam on leather, Ultrasuede® and up the roll fabrics. Seams are eliminated with railroaded fabrics.

Scale: 1/8 inch = 1 foot  
All dimensions are approximate and subject to change.  
Specify components from the sitting position.